

PCA-M-HA R32

Stainless Steel Ceiling Suspended System

Power Inverter Heat Pump (Single Phase)

Mr.SLIM™

The **PCA-M-HA** series is a ceiling suspended unit ideal for use in kitchen environments. The external casing is made of durable stainless steel that is resistant to oil and smoke, ensuring that the unit can be easily cleaned at all times. Our Power Inverter Heat Pump offers customers high seasonal efficiency, advanced control options and quiet operation, whilst providing greater flexibility and ease of installation.

Key Features & Benefits:

- High performance oil mist filter
- Easy maintenance - fan casing can be separated into different sections allowing easy cleaning and the drain pan can also be cleaned easily on-site as the pipe connector can be quickly removed
- Optional decoration covers
- Durable stainless steel casing

R32



Air Conditioning Product Information

PCA-M-HA R32 Stainless Steel Ceiling Suspended System Power Inverter Heat Pump (Single Phase)

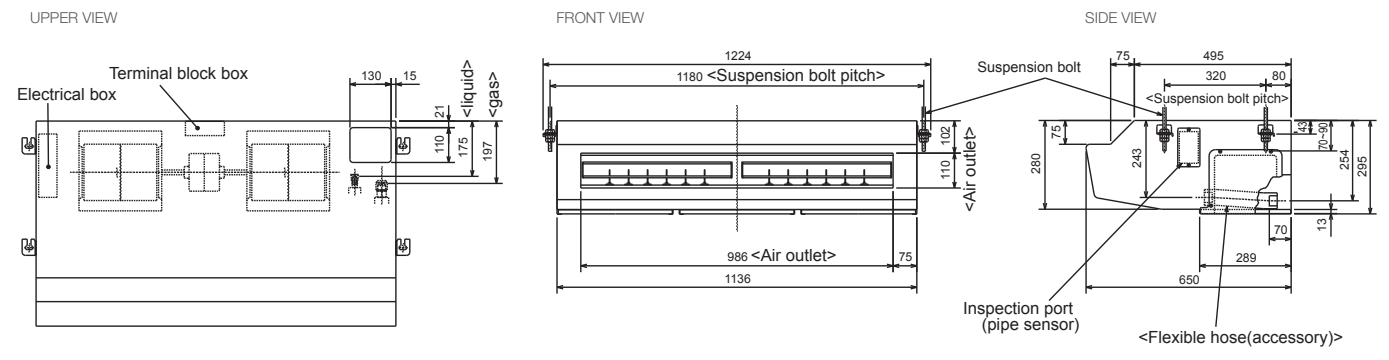
R32



PCA-M-HA INDOOR UNITS		PCA-M71HA
CAPACITY (kW)	Heating (nominal)	7.6 (3.5-10.2)
	Cooling (nominal)	7.1 (3.3-8.1)
	Heating (UK)	6.8 (3.0-8.65)
	Cooling (UK)	6.55 (3.05-7.45)
SHF (nominal)		0.74
COP / EER (nominal)		3.50 / 3.51
SCOP / SEER		3.9 / 5.6
ENERGY EFFICIENCY CLASS	Heating/Cooling	A / A+
AIRFLOW (l/s)	Lo-Hi	267-300
PIPE SIZE mm (in)	Gas/ Liquid	15.88 (5/8") / 9.52 (3/8")
SOUND PRESSURE LEVEL (dBA)	Lo-Hi	37-39
SOUND POWER LEVEL (dBA)		57
DIMENSIONS (mm)	Width x Depth x Height	1136 x 650 x 280
WEIGHT (kg)		42
ELECTRICAL SUPPLY		Fed by Outdoor Unit
FUSE RATING (BS88) - HRC (A)		6
INTERCONNECTING CABLE No. CORES		4
WIRED REMOTE CONTROLLER REFERENCE		PAR-40MAA
WIRELESS REMOTE CONTROLLER REFERENCE		PAR-SL94B

PUZ-ZM OUTDOOR UNITS		PUZ-ZM71VHAR1
SOUND PRESSURE LEVEL (dBA)	Heating/Cooling	49 / 47
SOUND POWER LEVEL (dBA)	Cooling	67
WEIGHT (kg)		70
DIMENSIONS (mm)	Width x Depth x Height	950 x 330 + 30 x 943
ELECTRICAL SUPPLY		220-240v, 50Hz
PHASE		Single
SYSTEM POWER INPUT (kW)	Heating/Cooling (nominal)	1.82 / 1.65
	Heating/Cooling (UK)	1.69 / 1.39
STARTING CURRENT (A)		6.0
SYSTEM RUNNING CURRENT (A)	Heating/Cooling (MAX)	7.5 / 6.7 [19.4]
FUSE RATING (BS88) - HRC (A)		25
MAINS CABLE No. CORES		3
MAX PIPE LENGTH (m)		55
MAX HEIGHT DIFFERENCE (m)		30
CHARGE REFRIGERANT (kg) / CO ₂ EQUIVALENT (t) - R32 (GWP 675) - 30m		2.80 / 1.89
MAX ADDITIONAL REFRIGERANT (kg) / CO ₂ EQUIVALENT (t) - R32 (GWP 675)		0.80 / 0.54

PCA-M71HA DIMENSIONS



Telephone: 01707 282880
email: air.conditioning@meuk.mee.com
les.mitsubishielectric.co.uk



Mitsubishi Electric Living
Environmental Systems UK



Mitsubishi Electric
Cooling and Heating UK



[mitsubishielectricuk_les](https://www.instagram.com/mitsubishielectricuk_les)



Mitsubishi Electric Living
Environmental Systems UK



thehub.mitsubishielectric.co.uk

UNITED KINGDOM Mitsubishi Electric Europe Living Environment Systems Division, Travellers Lane, Hatfield, Hertfordshire, AL10 8XB, England. Telephone: 01707 282880 Fax: 01707 278881
IRELAND Mitsubishi Electric Europe, Westgate Business Park, Ballymount, Dublin 24, Ireland. Telephone: (01) 419 8800 Fax: (01) 419 8890 International code: (003531)

Country of origin: United Kingdom - Japan - Thailand - Malaysia. ©Mitsubishi Electric Europe 2020. Mitsubishi and Mitsubishi Electric are trademarks of Mitsubishi Electric Europe B.V. The company reserves the right to make any variation in technical specification to the equipment described, or to withdraw or replace products without prior notification or public announcement. Mitsubishi Electric is constantly developing and improving its products. All descriptions, illustrations, drawings and specifications in this publication present only general particulars and shall not form part of any contract. All goods are supplied subject to the Company's General Conditions of Sale, a copy of which is available on request. Third-party product and brand names may be trademarks or registered trademarks of their respective owners.

Note: The fuse rating is for guidance only. Please refer to the relevant databook for detailed specification. It is the responsibility of a qualified electrician/electrical engineer to select the correct cable size and fuse rating based on current regulation and site specific conditions. Mitsubishi Electric's air conditioning equipment and heat pump systems contain a fluorinated greenhouse gas, R410A (GWP:2088), R32 (GWP:675), R407C (GWP:1774), R134a (GWP:1430), R513A (GWP:631), R454B (GWP:466), R1234ze (GWP:7) or R1234yf (GWP:4). *These GWP values are based on Regulation (EU) No 517/2014 from IPCC 4th edition. In case of Regulation (EU) No.626/2011 from IPCC 3rd edition, these are as follows. R410A (GWP:1975), R32 (GWP:550), R407C (GWP:1650) or R134a (GWP:1300).

Effective as of May 2020

