

Centralized Remote Controller



Centralized controller AE-200E/AE-50E



Dimensions: 284(W) x 200(H) x 65(D) mm
: 11-5/32(W) x 7-27/32(H) x 2-9/16(D) in.

- **By comprehensively showing the energy consumption of air-conditioning equipment, it provides assistance in energy saving.**
 - Energy consumption of air-conditioning equipment by individual area is displayed using graphs for easier viewing.
 - Enables comparisons with the previous year's power consumption as well as with the target electric power, thus allowing users to check the operating state at a glance.
 - Floor layout is displayed on the 10.4-inch LCD touch panel, facilitating easier operation of air-conditioning equipment.
- **In an easy and flexible manner, an optimum system can be established according to the scale of facilities.**
 - Implements control on up to 50 indoor units of air-conditioning equipment.
 - By using three units of expansion controller "AE-50E", the centralized control is implemented for the maximum of 200 indoor units.
 - Connection with PC allows implementation of control on more than 200 indoor units via Web browser.^{*1}
- *1. Please contact your local distributor for when the feature is supported.
- **Features for operating and monitoring the hot water heat pump are also available on CAHV, PWFY, and CRHV.^{*2}**
 - Centralized batch control on CAHV, PWFY, and CRHV^{*2} is possible in addition to that on air-conditioning unit.
- *2. Please contact your local distributor for when these features are supported on CRHV.

Control Screen for Power Consumption

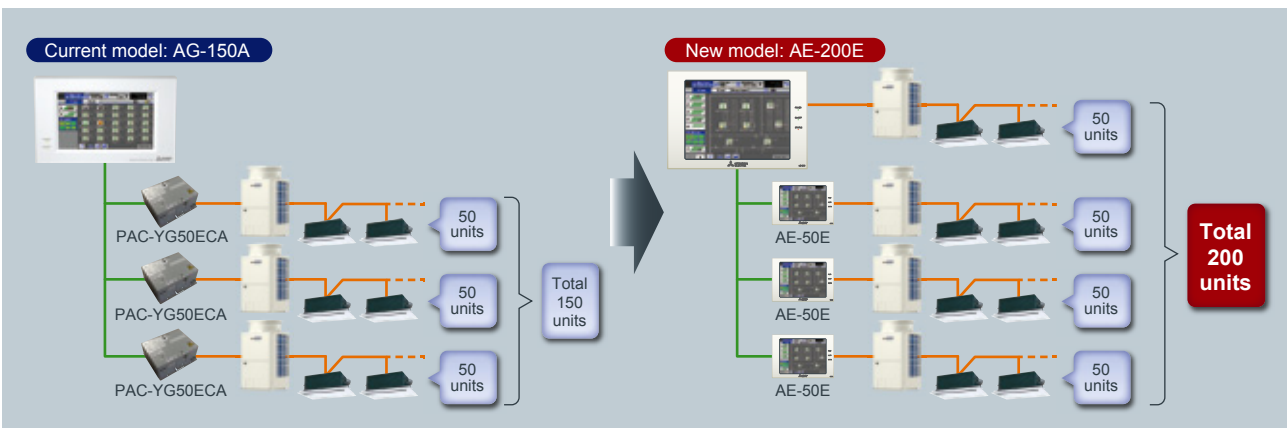


Energy consumption of applicable area is displayed by the month, day, and hour. Energy consumption of two different units, groups and blocks can be compared. Fan operation time as well as energy consumption can be displayed.

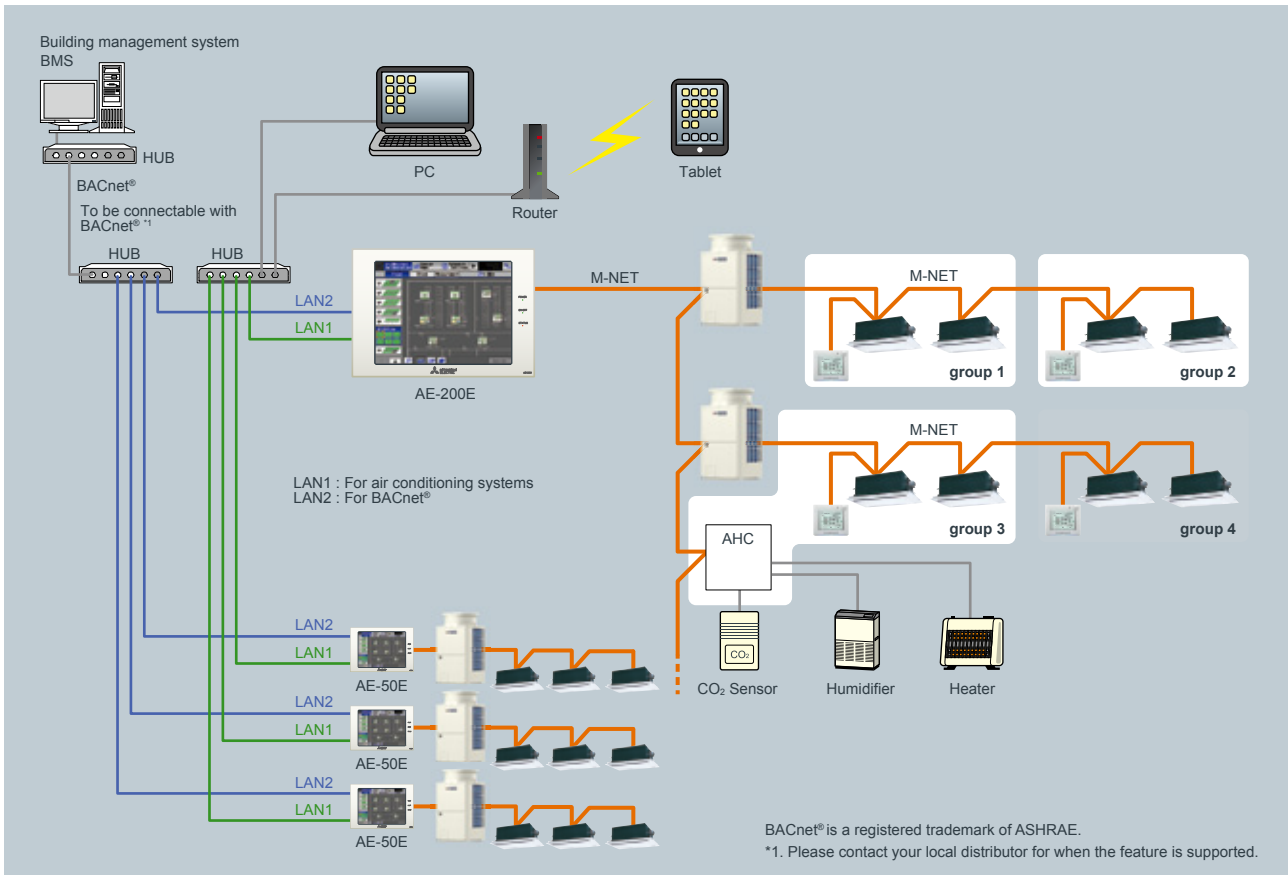


Energy consumptions of air-conditioning equipment are ranked and displayed by individual air-conditioning equipment and by area, thus visualizing high-load components. Also, comparison of energy consumption with target electric energy is possible.

Comparison in the number of connectable units



System Structure



Functions

Item	Description	Operations	Display
Controllable number of unit	Up to 50 units/50 groups		
ON/OFF	ON and OFF operation for the air conditioning units and general equipment. (To operate general equipment, PAC-YG66DCA is required.)	○ ○ △ ●	○ ○
Operation mode	Switches between several operation modes depending on the air conditioning unit. Air conditioning unit : Cool/Dry/Auto(*)/Fan/Heat LOSSNAY unit : Heat Recovery/Bypass/Auto CAHV, CRHV, Air To Water (PWFY) units : Heating, Heating ECO, Hot Water, Anti-freeze, Cooling(**) * Auto mode is for CITY MULTI R2 and WR2 series only. ** Only PWFY	○ ○ △ ●	○
Temperature setting	Cool/Dry : 19°C (67°F) -35°C (95°F) [14°C (57°F) -30°C (87°F)] Heat : 4.5°C (40°F) -28°C (83°F) [17°C (63°F) -28°C (83°F)] Auto : 19°C (67°F) -28°C (83°F) [17°C (63°F) -28°C (83°F)] The range of temperature depends on the air conditioning unit. [] in case of using middle-temperature on PDFY, PEFY-VML/VMR/VMS/VMH-by setting DipSW7-1 to ON. Yet, PEFY-P-VMH-E-F is excluded.	○ ○ △ ●	○
Fan speed setting	Models with 4 air flow speed settings : Hi/Mid-2/Mid-1/Low Models with 3 air flow speed settings : Hi/Mid/Low Models with 2 air flow speed settings : Hi/Low Fan speed setting (including Auto) varies depending on the model.	○ ○ △ ●	○
Air flow direction setting	Air flow direction angles, 4-angles or 5-angles Swing, Auto (Louver cannot be set)	○ ○ △ ●	○
Schedule operation	Weekly schedule can be set by groups based on daily operation pattern.	○ ○ △ ●	○
Permit/prohibit local operation	Individually prohibits operation of each local remote controller function. (ON/OFF, Operation mode, Set temperature, Filter sign reset, Air Direction*, Fan Speed*, Timer*) * This function depends on the model.	○ ○ △ ●	○
Indoor unit intake temperature	Measures the intake temperature of the indoor unit only when the indoor unit is operating.	×	○
Error	When an error is currently occurring on an air conditioning unit, the afflicted unit and the error code are displayed.	×	□ ○
Test run	This operates air conditioning units in test run mode.	○ ○ △ ●	○
Ventilation interlock	The ventilation unit (LOSSNAY) is able to automatically start its operation when operation of the interlocked indoor unit starts.	○ ○ △ ●	○
External input/output	By using optional external input/output adapter (PAC-YG10HA-E) you can set and monitor the following. Input : By level signal : "Batch ON/OFF", "Batch emergency stop" By pulse signal : "Batch ON/OFF", "Enable/disable local remote controller" Output : "ON/OFF", "Error/Normal"	○	○
Energy Management	Bar Graph : Indoor unit Electric Energy, FAN operation time, Thermo-ON time (TOTAL, Cooling, Heating) can be displayed hourly, daily and monthly. Line Graph : Outdoor temp., Room temp., Set temp. (Heating, Cooling) input from PAC-YG63MCA and temp. from AHC.	×	□ ○ ●
Advanced HVAC Controller (AHC)	The status of AHC can only be monitored.	×	○
New Smart ME controller	The status of sensor on this controller can be monitored.	×	○
Smartphone/Tablet	The specified Web browser on iOS and Android OS can monitor and operate AE-200E. *1	○	○
New Web design	The web screen design is renewed for user friendly interface. *1	○ ○ △ ●	○
Initial setting software	The initial setting can be configured without the connection of AE-200E. *1	×	×
Apportionment of power consumption	Apportionment of power consumption can be calculated on AE-200 without TG-2000A. *1	●	□ ○ ●
BACnet® communication	ANSI/ASHRAE 135-2010 (ISO16484-5) is supported and approved by the BTL. *1	○	×

*1. Please contact your local distributor for when the feature is supported.

